

EXIT IDENTIFIERS

DIMENSIONS: VARIES DEPENDING ON MODEL

WATTS: 6.5 WATTS MAX

VOLTAGE: 5.5—8.2 VDC

PMA APPROVED

LED RESULTS IN LOW POWER DRAW AND MAINTENANCE

CUSTOM COLORS AND MESSAGES

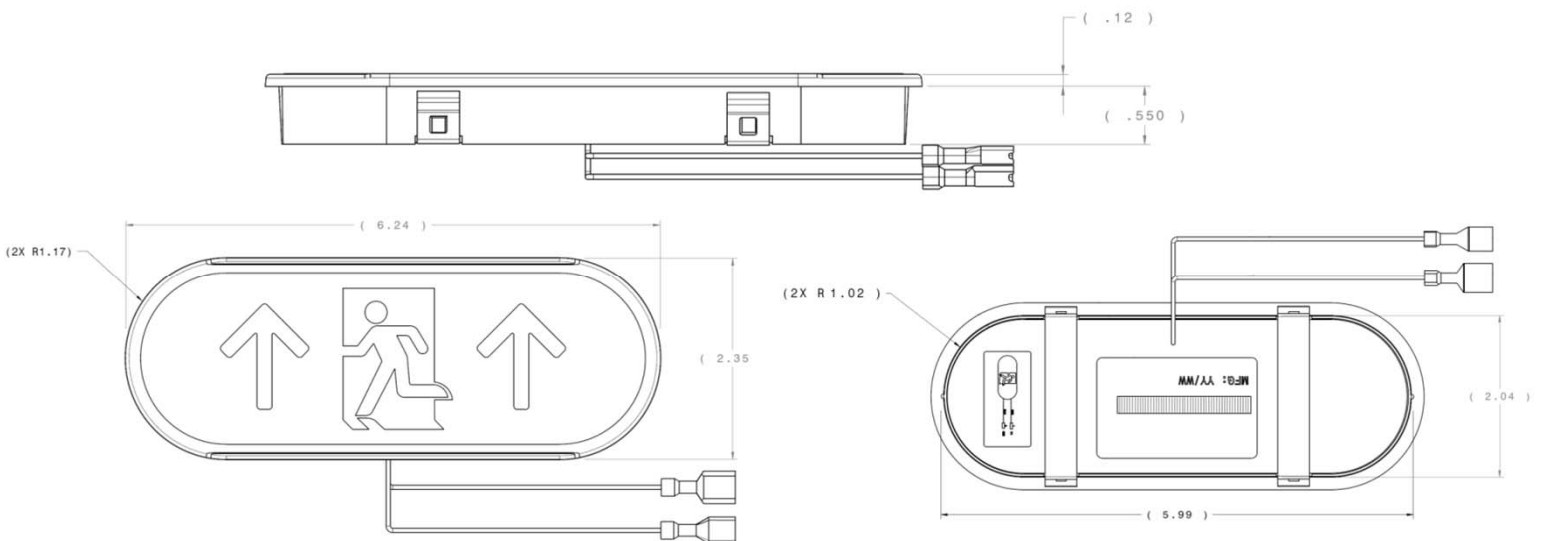
DESIGNED FOR CLEAR, CONCISE AND DIRECT EVACUATION AND EXIT DIRECTION

MOUNTED ON WALLS AND CEILINGS

AVAILABLE IN TEXT OR SYMBOLIC

PART NUMBERS:

EXIT IDENTIFIERS: 0204112
0206164
0206411
EXIT LOCATORS: 0204349
EXIT MARKERS: 0204110



For More Information, Please Contact:
aero_sales@LuminatorUSA.com
900 Klein Road | Plano, Texas 75074 | +1-800-388-8205
www.LuminatorAerospace.com


Luminator
AEROSPACE