

LS-16 SEARCHLIGHT



DIMENSIONS: 21.0" H X 18.3" W X 17.2" L/
533 MM H X 465 MM W X 437 MM L

WATTS: 1600W = 70 AMPS
1400W = 59 AMPS

VOLTAGE: 28.0 VDC (NOMINAL)

XENON SHORT ARC LAMP COLOR: WHITE LIGHT-
WARRANTED FOR 2,000 HOURS

WEIGHT: 45 LB MAX/20.4 KG MAX
(EXCLUDING EXTERNAL CABLES AND AUXILIARY
MOUNTS)

ELEVATION: -5°/-90°

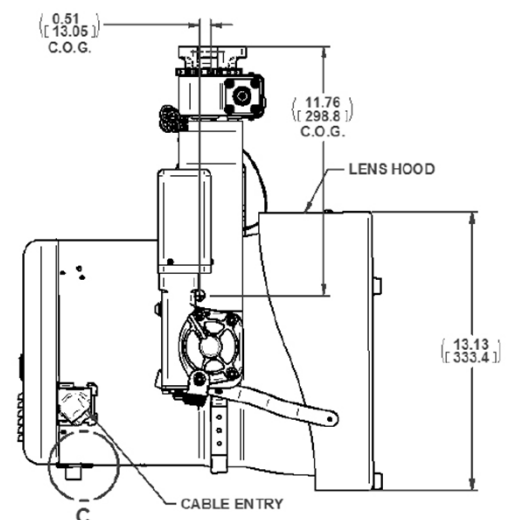
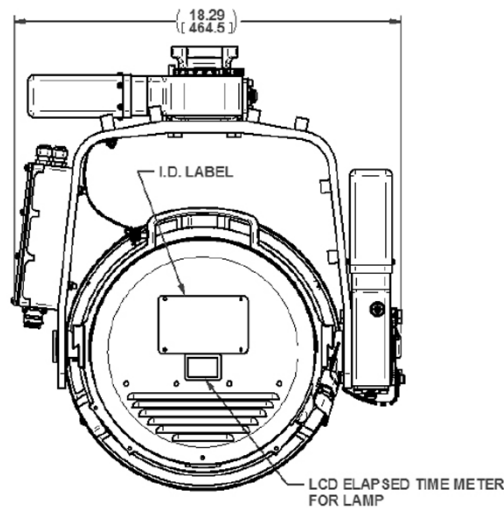
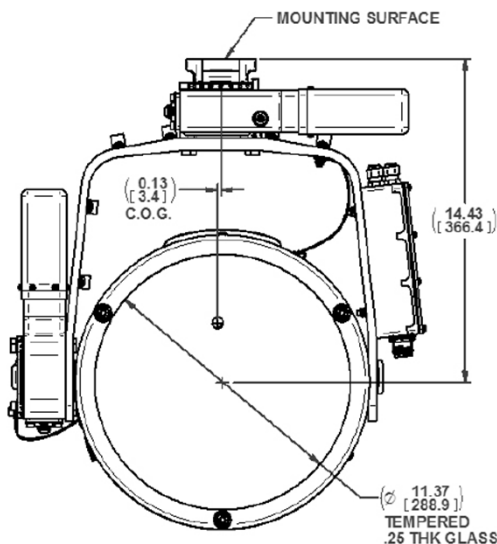
AZIMUTH: ±150°

UNIT COLOR: BLACK

**ACHIEVES IN EXCESS OF 50 MILLION+
CANDLEPOWER AT 1600W**

**CIRCULAR BEAM SPREAD VARIES FROM 4-16°
USING A BI-DIRECTIONAL REMOTE**

**CAN HOST UP TO 2 AUXILIARY PAYLOADS WHICH
ARE ALSO CONTROLLED BY THE REMOTE**



For More Information, Please Contact:
aero_sales@LuminatorUSA.com
900 Klein Road | Plano, Texas 75074 | +1-800-388-8205
www.LuminatorAerospace.com


Luminator
AEROSPACE