

# MARKER LIGHTS

**WEIGHT:** 0.85 LB, 0.02 KG

**DIMENSIONS:** 3.62" X 3.13"/ 92 MM X 79 MM

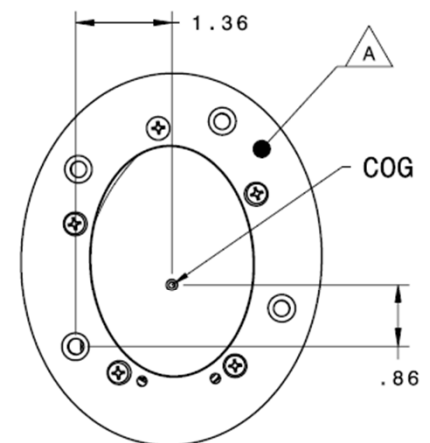
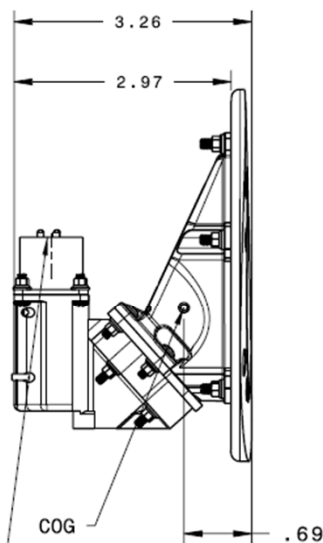
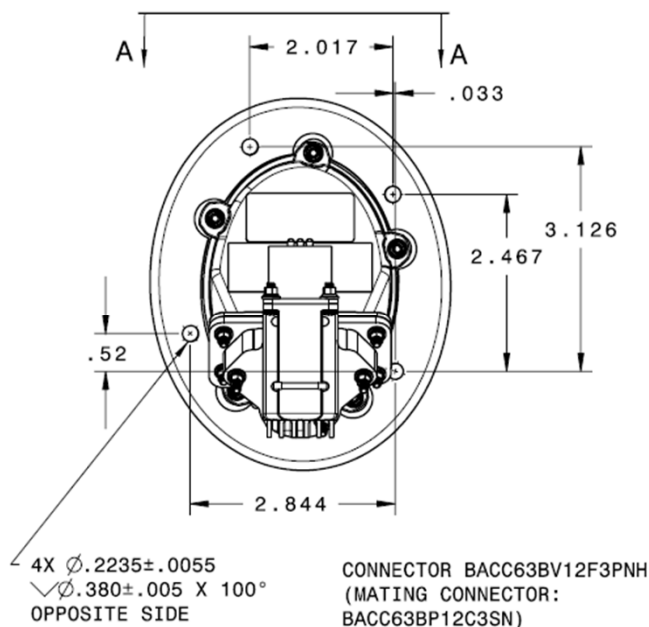
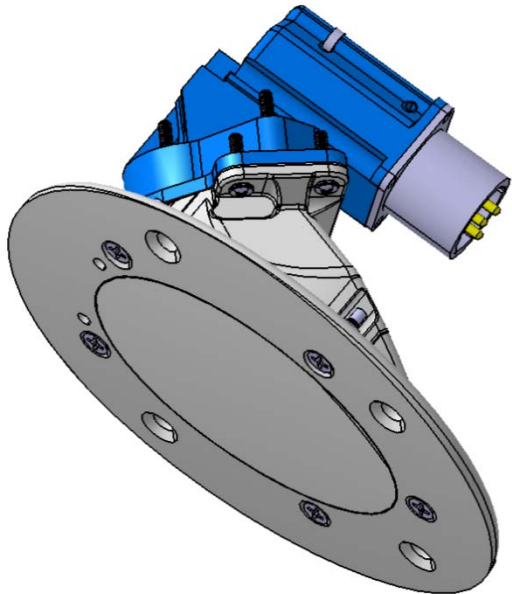
**POWER:** 28 VDC

**PART NUMBER:** 0204545-101 &-102

**FAA/PMA APPROVED**

## **ELECTRICAL CHARACTERISTICS: FOR NICHIA 219 LEOS**

- INPUT VOLTAGE: 18.0 VDC TO 29.5 VDC
- OPERATING INPUT CURRENT: 150-225MA @ 27 VDC
- MAX INPUT POWER: 3.33 W MAX
- INPUT CURRENT: 185 MA @ 18VDC
- NOMINAL OPERATING INPUT POWER: 3.13 W
- NOMINAL OPERATING INPUT CURRENT: 70-125MA @ 27 VDC



For More Information, Please Contact:  
aero\_sales@LuminatorUSA.com  
900 Klein Road | Plano, Texas 75074 | +1-800-388-8205  
www.LuminatorAerospace.com

  
**Luminator**  
AEROSPACE