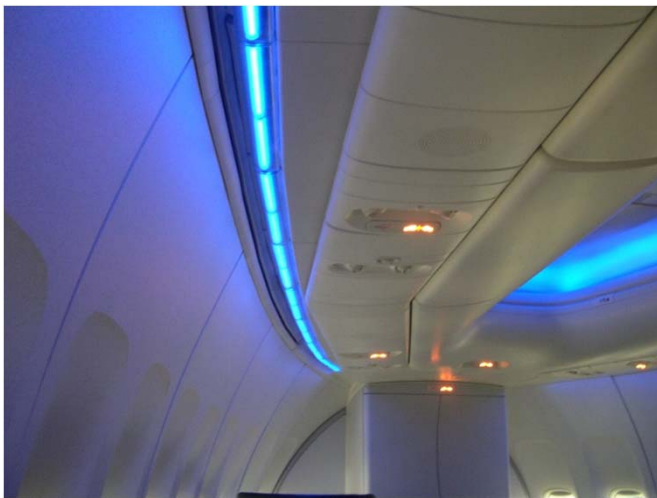


MOODLIGHTING



INPUT VOLTAGE: 12.0 VDC NOMINAL

MAX POWER: 3.72 W

WEIGHT: 0.165 LB MAX, 0.075 KG MAX

DIMENSIONS: 0.4" X 0.4" MAX
10 MM X 10 MM MAX
MULTIPLE LENGTHS AVAILABLE

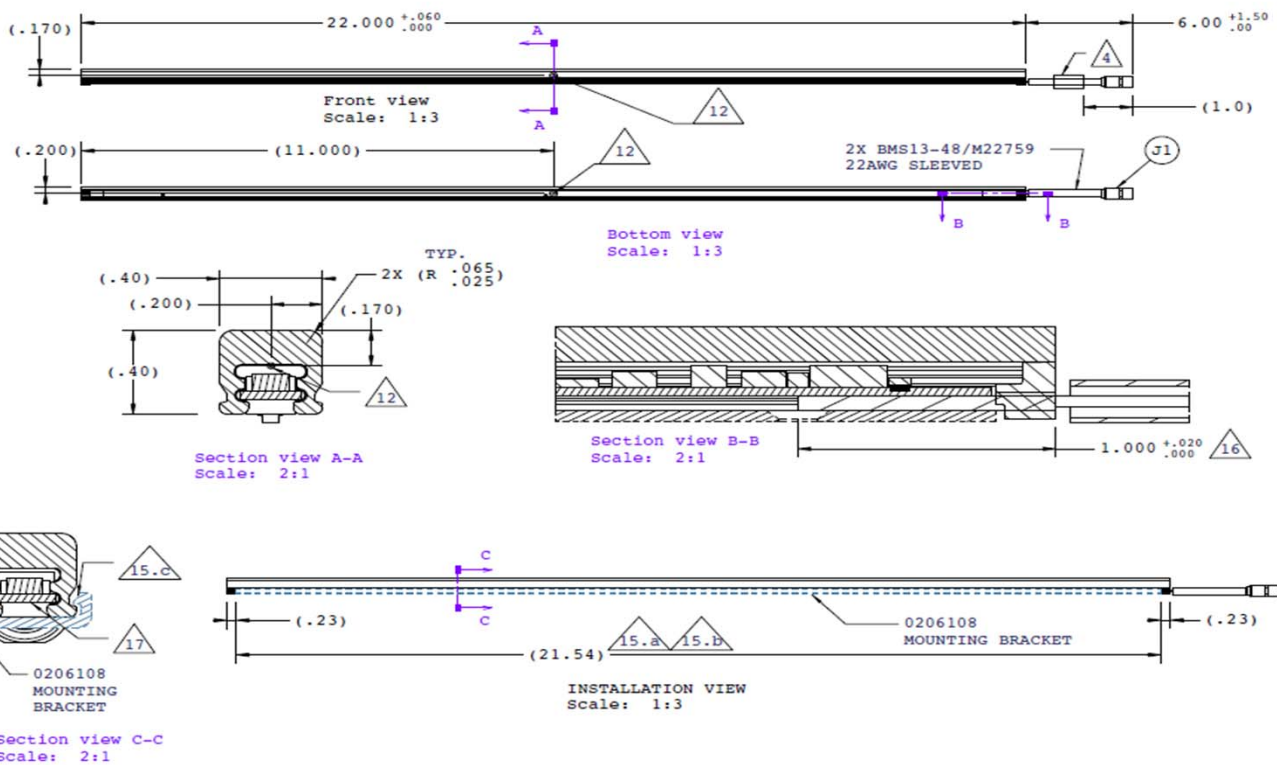
CONNECTOR: MULTIPLE AVAILABLE

PART NUMBER: 0206056

ENVIRONMENTAL QUALIFICATION CHARACTERISTICS:

- QTP 909027
- QTR 909028

TEST PER ATP 908976



For More Information, Please Contact:
aero_sales@LuminatorUSA.com
 900 Klein Road | Plano, Texas 75074 | 972-424-6511
www.LuminatorAerospace.com