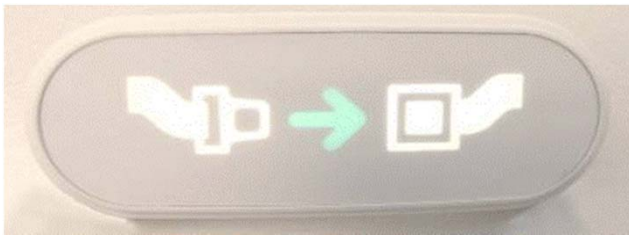


PASSENGER INFORMATION SIGNS



DIMENSIONS: 3.7" X 1.32"
94 MM X 34 MM

WATTS: 0.48 W MAX

VOLTAGE: 28 VAC/VDC

LED LIGHT COLOR: VARIES

MOUNTING: SNAP FIT

PMA APPROVED DESIGNS AVAILABLE

HOUSING COLORS: WHITE, "DEAD FRONT" WHEN NOT ILLUMINATED

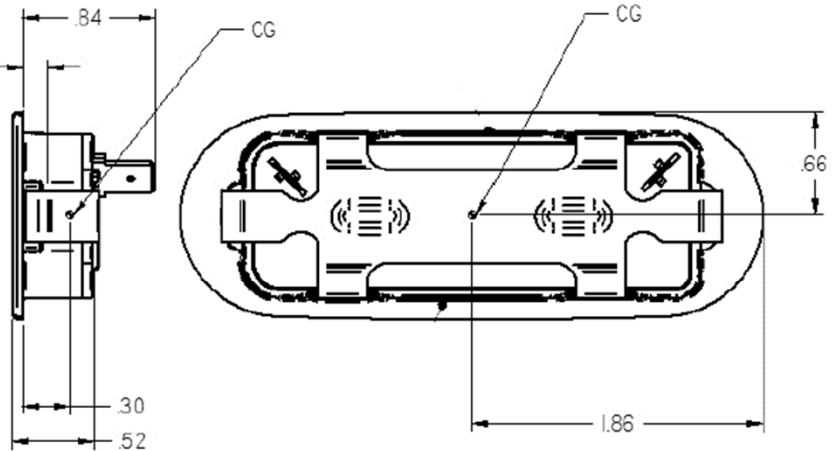
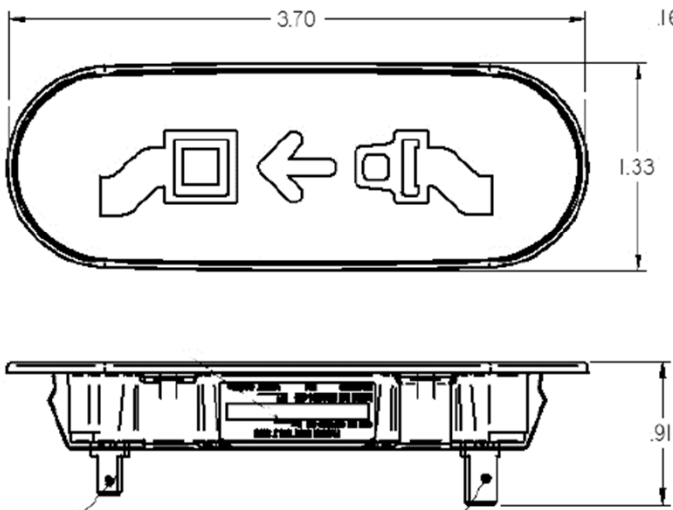
OVERLAYS: LAVATORY OCCUPIED, NO SMOKING, RETURN TO SEAT, FASTEN SEAT BELT, SWITCH DEVICE OFF, WIFI OR CUSTOM

LED LIFE EXPECTANCY: 100,000 HOURS

WEIGHT: 1.0 OZ (28.35 KG) TYPICAL

PART NUMBERS:

FASTEN SEAT BELT:	0204283
LAVATORY OCCUPIED SIGN:	0204326
RETURN TO SEAT:	0204419
NO PED:	0206175
NS/FSB/WIFI SIGNS:	0206101



For More Information, Please Contact:
aero_sales@LuminatorUSA.com
900 Klein Road | Plano, Texas 75074 | +1-800-388-8205
www.LuminatorAerospace.com


Luminator
AEROSPACE