

imotion TFT.quadro 18.5"



The imotion TFT.quadro 18.5" has been developed for the requirements of a public transport vehicle. The Quadro consists of 2 imotion TFT.compact 18.5" and 2 imotion TFT.slave 18.5". The screen conforms to the international regulations and standards of bus and train sectors and comes in solid casing. The brilliant display, rendering color fidelity of content, rounds off the imotion TFT.quadro 18.5".

FEATURES:

- Energy efficient Intel® Dual-Core Processor
- State-of-the-art TFT technology with LED backlighting
- Brightness sensor for an optimized picture at anytime
- Vibration-resistant
- No servicing required
- Anti-glare laminated safety glass
- Ergonomic viewing angle of 75 degrees
- Varying sizes of flash and internal memory enable maximum flexibility
- Service friendly with a frame that folds down from underneath

ORDER NUMBER	OPERATING SYSTEM	FRAME COLOURS
07.89.923.XX.XXX	Windows Embedded 8 or Linux SDK	User-defined

**Additional operating systems
on request**

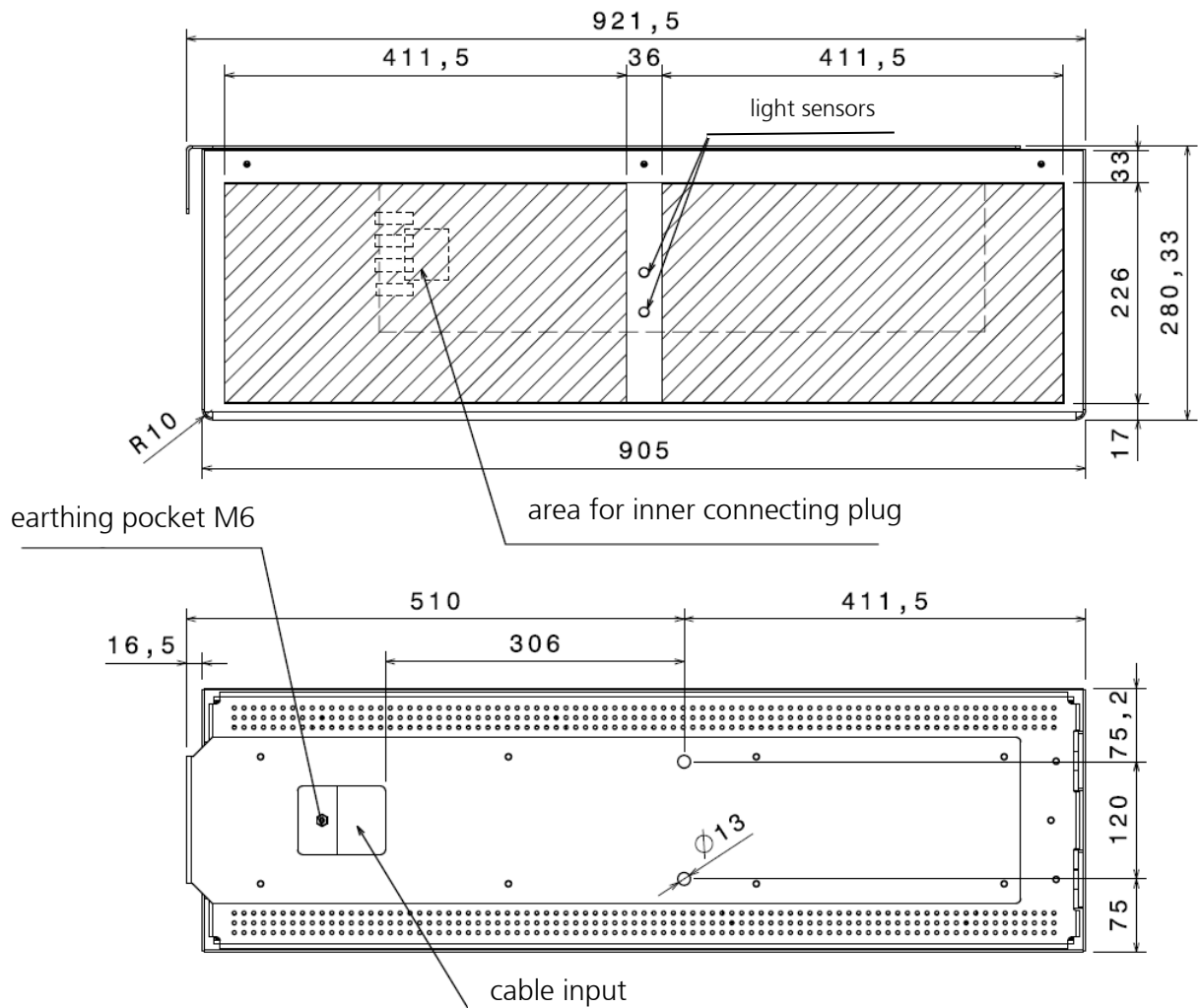


Technical specifications

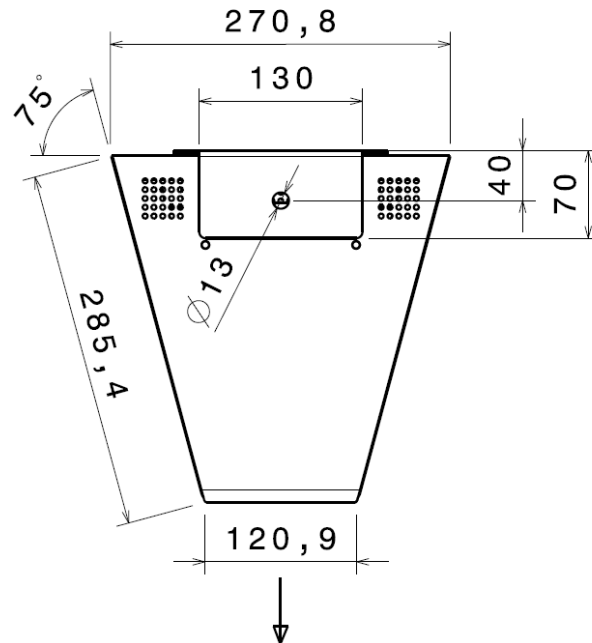
Working temperature	0°C ... +50°C	
Storage	- 25°C ... +70°C	
max. atmospheric humidity	95% relative atmospheric humidity (non-condensing)	
Luminance	250 cd/m ²	
Viewing angle	Horizontal: 170° (typically)	
10:1	Vertical: 160° (typically)	
Contrast ratio	1000:1	
Aspect ratio	16:9	
Resolution	1368 x 768 (WXGA)	
Interfaces	<ul style="list-style-type: none"> ■ 4 X Ethernet 10/100 Mbit/s (M12) ■ 5 x inputs for addressing, galvanically isolated, 24V ~7 mA ■ Additional interfaces on request 	
AF-Output level	On request	
CPU	Atom N2600	
RAM	2GB DDR3	
Flash Disc	16GB mSATA (Solid State Drive with SLC)	Additional combinations on request
Cooling	Passive (without fan)	
Operating system	Windows Embedded 8 Standard	Additional operating systems on request
Nominal voltage	24VDC	
Input voltage	16V .. 32VDC	
Dimension	921mm x 280mm x 270mm (maximum depth)	
Weight	25kg	
Power consumption	90 Watts max.	
MTBF (Mean time between failure)	Approx. 60'000h	
Compliant with regulations and standards	<ul style="list-style-type: none"> ■ EN 55011 ■ EN 50155 ■ EN 50121-3-2 ■ EN 61000 	<ul style="list-style-type: none"> ■ EN 45545 ■ EN 60068-2 ■ EN 61373



Exterior dimensions in mm



Lateral view



hood folds down from underneath

Fixture views

